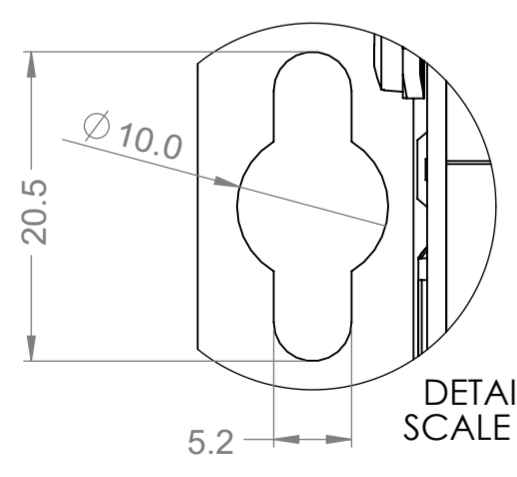
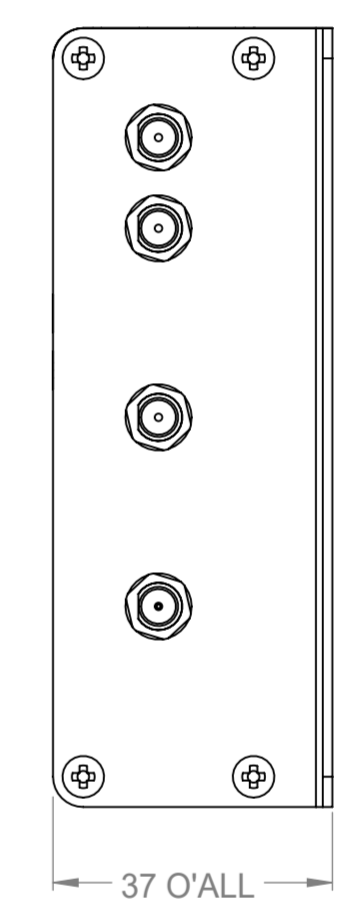
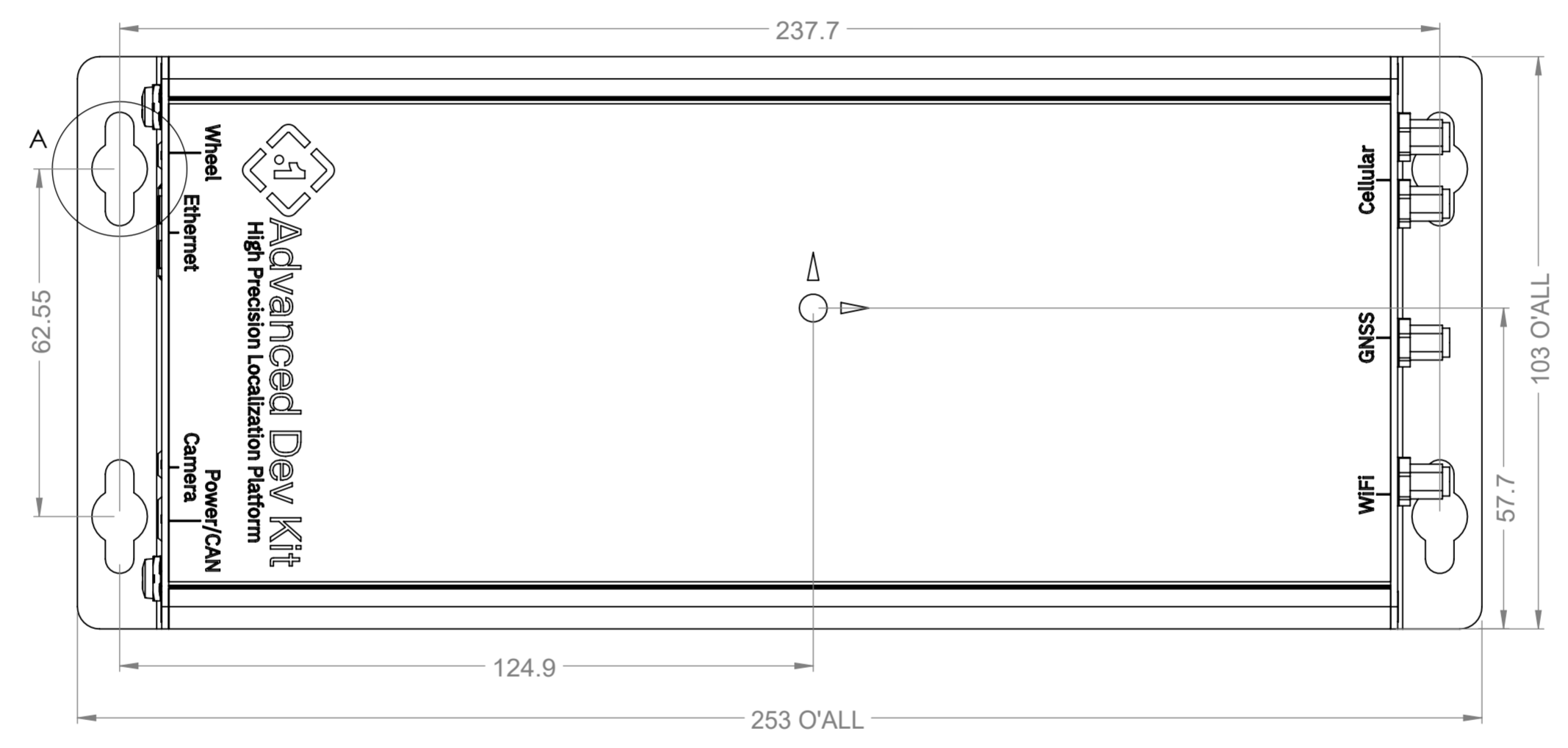
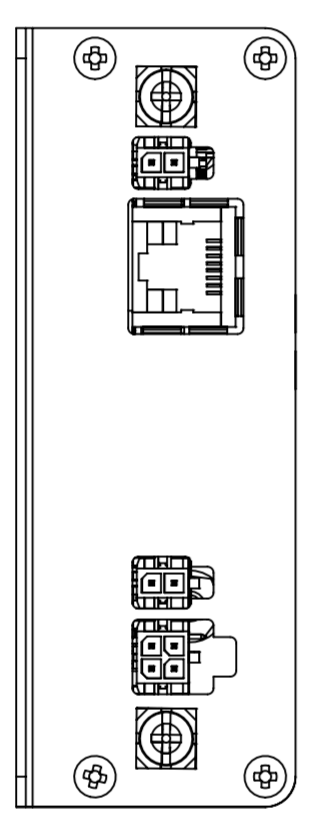
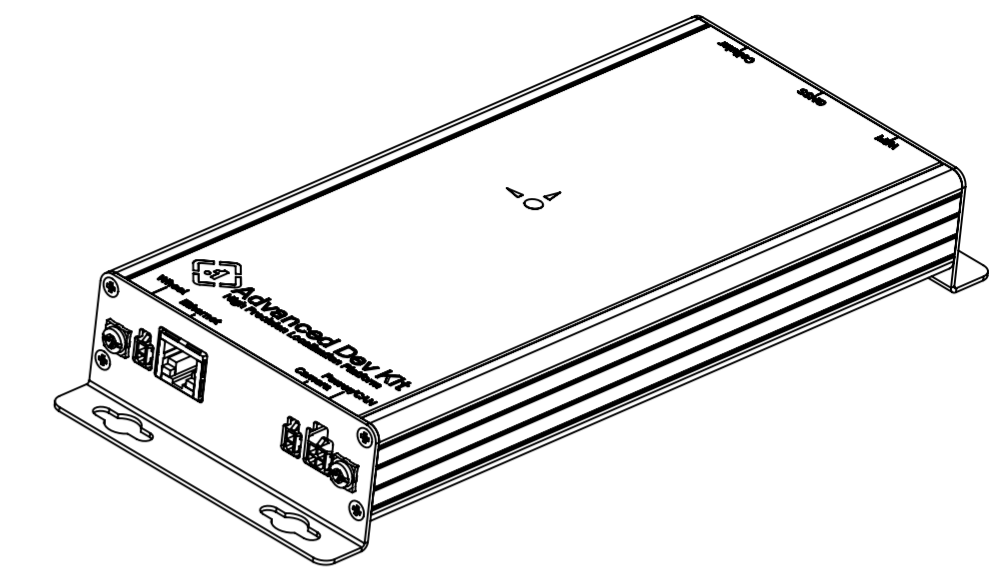
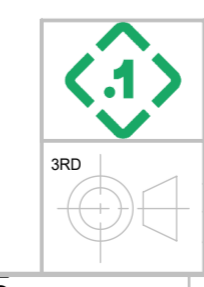
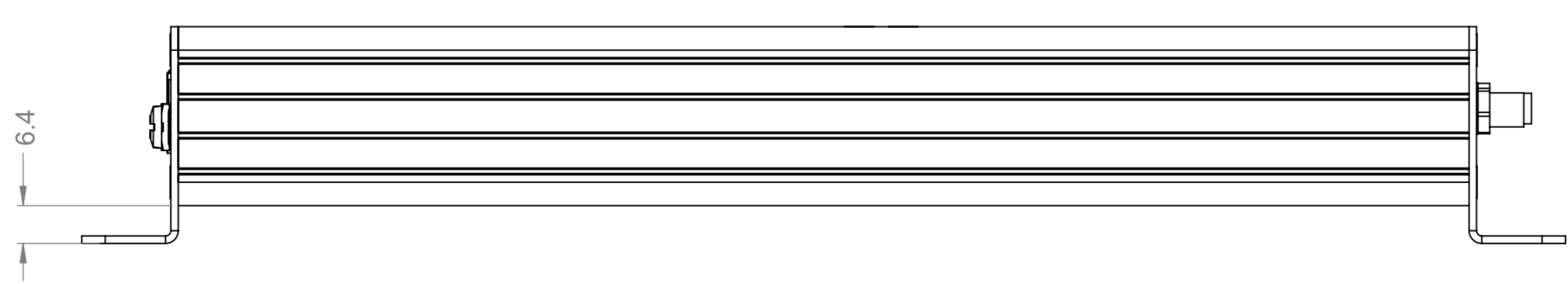


REVISIONS				
ZONE	REV.	DESCRIPTION	DATE	APPROVED



DETAIL A
SCALE 2:1



UNLESS OTHERWISE SPECIFIED:
DIMENSIONS ARE IN MILLIMETERS
SURFACE FINISH: 125 RMS
TOLERANCES:
LINEAR: X ± 1.50
 XX ± 0.75
 XXX ± 0.10
ANGULAR: ± 2°

FINISH: DEBURR AND BREAK SHARP EDGES
MATERIAL:
WEIGHT:

NAME	SIGNATURE	DATE
OMH		05/05/2023

PROPRIETARY AND CONFIDENTIAL, NOT FOR DISTRIBUTION

TITLE: **Advanced Dev Kit Assembly**

PART NO: **pon000504m Rev 1.1.0**

SCALE: 1:1 DO NOT SCALE DRAWING SHEET 1 OF 1 DRAWING REV

A2